

# PARTS LIST

[ SX-L3WD ]

## Area suffix

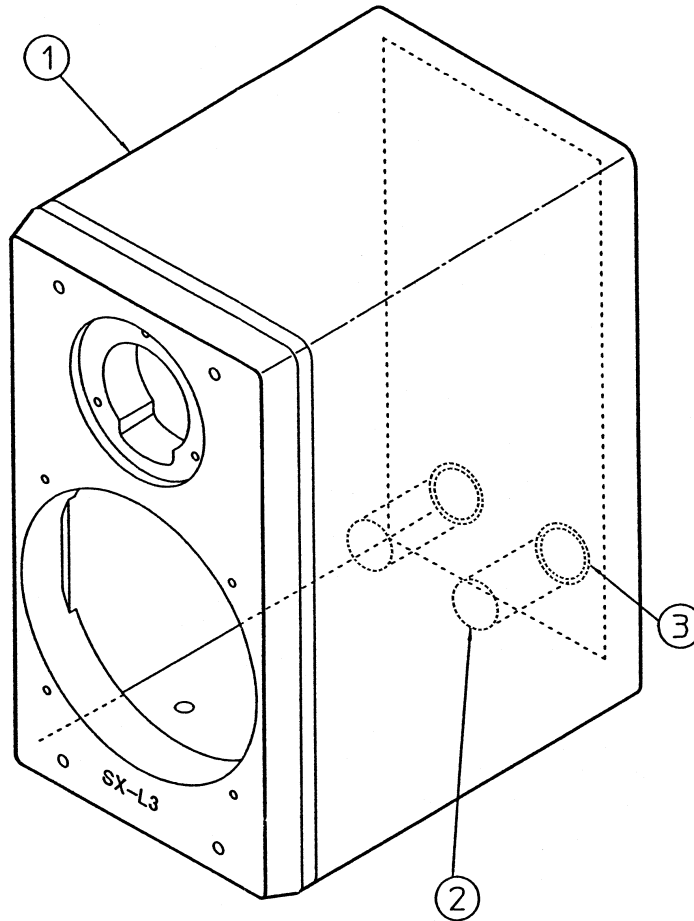
E ----- Continental Europe  
U ----- Other Areas

### - Contents -

Speaker box and parts list .....	3- 2
Exploded view of general assembly and parts list .....	3- 3
Net walk assembly and parts list .....	3- 4
Packing materials and accessories parts list .....	3- 5

# Speaker box and parts list

BLOCK No. **M1MM**



**Parts list**

**Block No. M1MM**

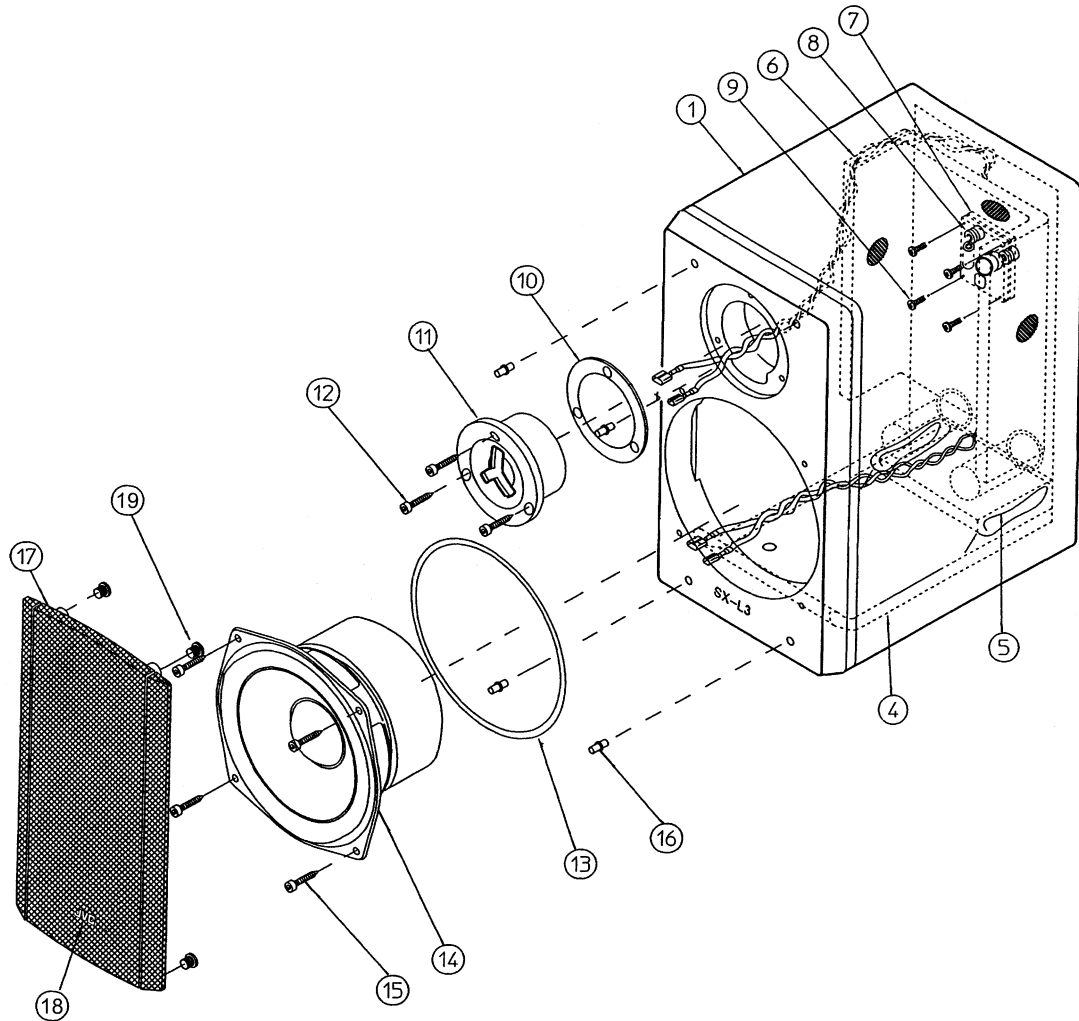
item	Parts number	Parts name	Q'ty	Description	Area
1	-----	Speaker cabinet	1		
2	-----	Duct	2		
3	-----	Felt ring	2		

**NOTE**

The speaker box becomes assembly supply.  
 The above-mentioned parts are not supplied.

# Exploded view of general assembly and parts list

BLOCK No. **M2MM**



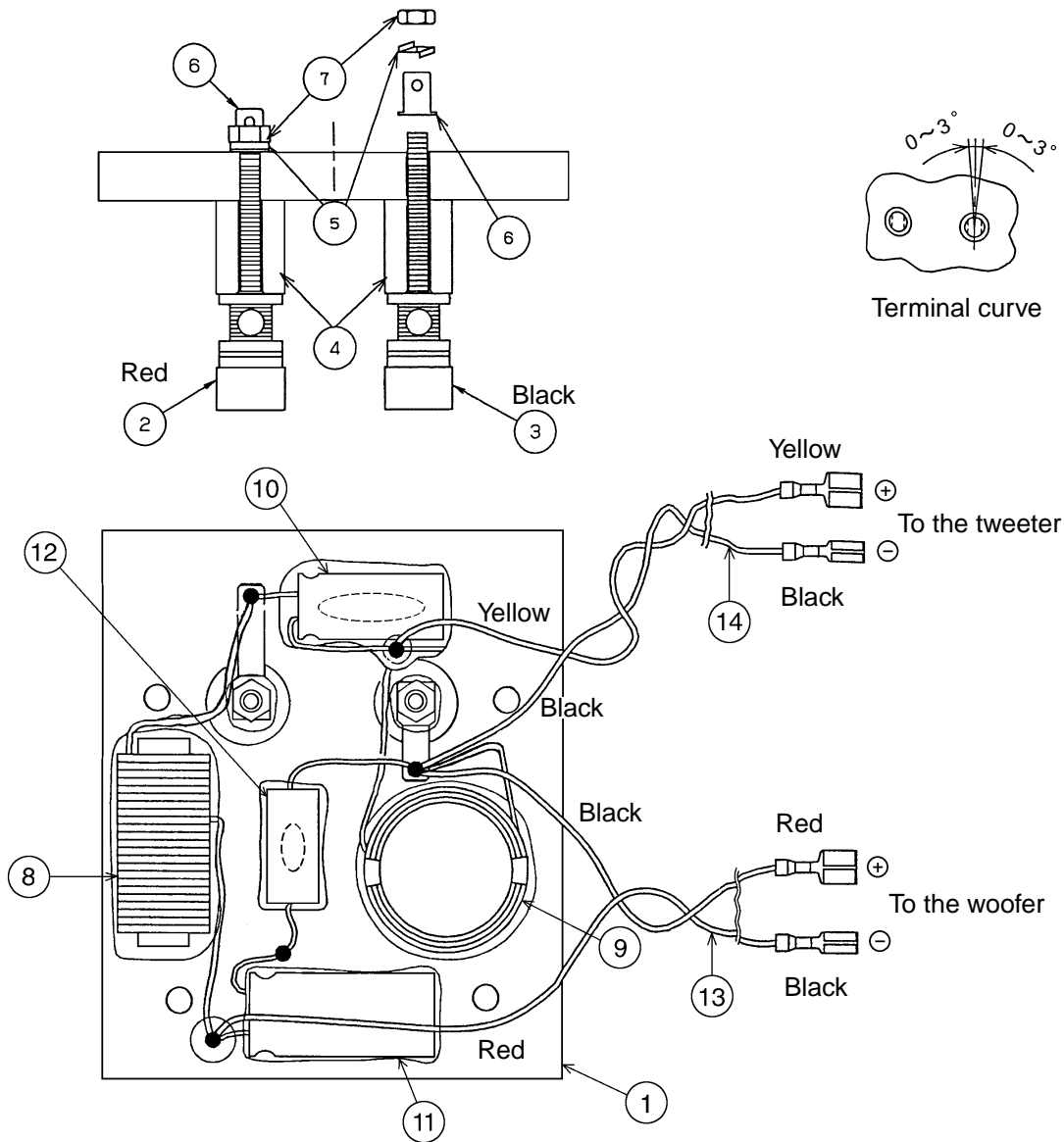
## Parts list

Block No. **M2MM**

▲	Item	Parts number	Parts name	Q'ty	Description	Area
	1	AA140001-01	Speaker box assembly	1		
	4	5400009111	SOUND ABSORBENT	1		
	5	5400003241	SOUND ABSORBENT	1		
	6	5400003291	SOUND ABSORBENT	1		
	7	2810003901	SPACER	1		
	8	-----	NETWORK assembly	1		
	9	7001542001	SCREW	4		
	10	28-100-033-01	SPACER	1		
	11	LE10003-006A	SPEAKER	1	SP-21	
	12	E74942-008	SCREW	3		
	13	2810003401	SPACER	1		
	14	LE10014-010A	SPEAKER	1	SP-11	
	15	E74942-008	SCREW	4		
	16	58-000-237-21	LATCH	4		
	17	99-000-223-11	NET assembly	1		
	18	LE40141-001A	JVC MARK	1		
	19	56-000-033-11	HOLDER	4		

# Net walk assembly and parts list

BLOCK No. 01MM



## Parts list

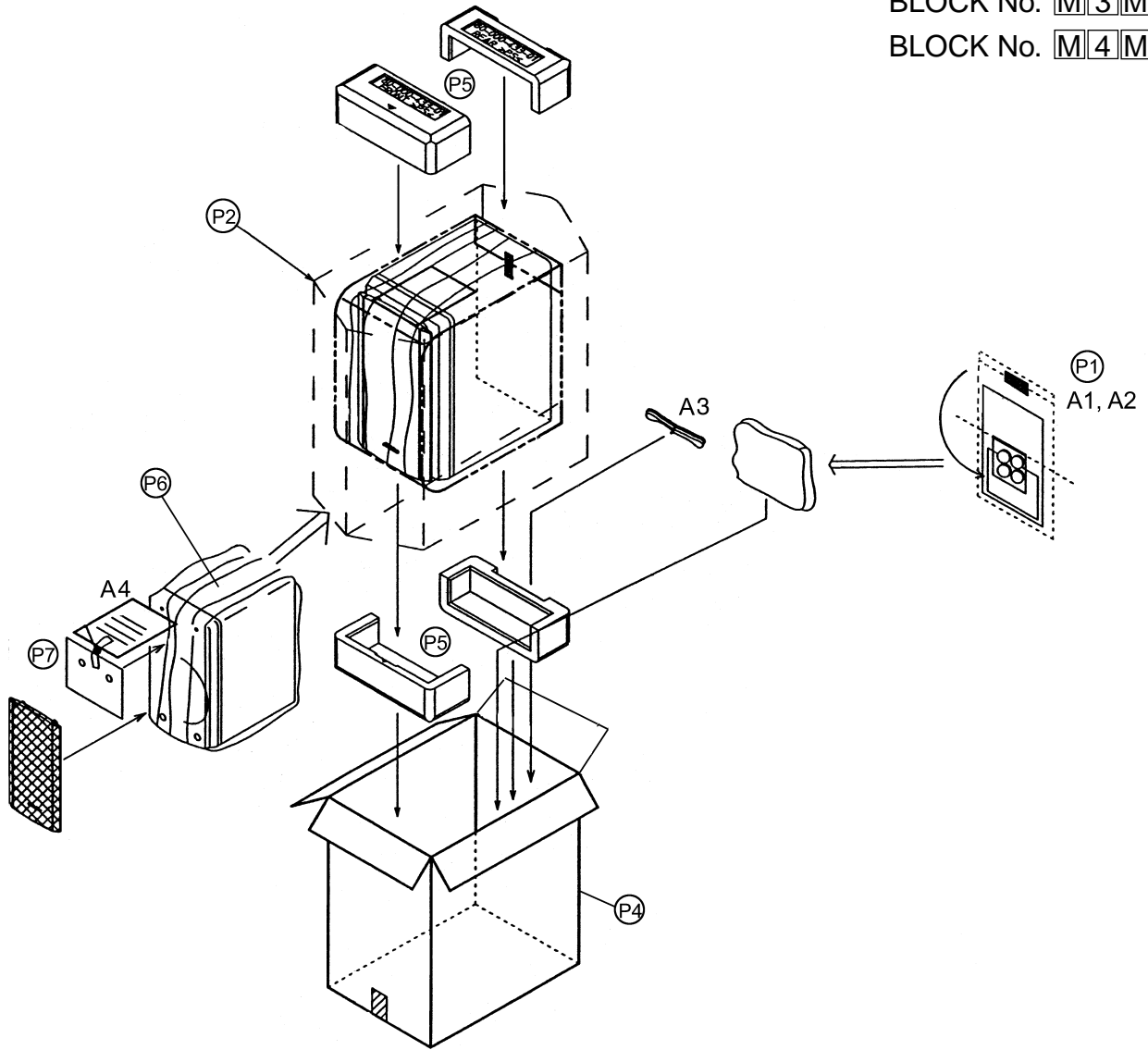
Block No. M2MM

Item	Parts number	Parts name	Q'ty	Description	Area
1	-----	Assembly board	1		
2	CL-B254R	KNOB (Red)	1	+ Side	
3	CL-B254B	KNOB (Black)	1	- Side	
4	E408952-001	N. W. Spacer	2		
5	QYWLP417610N	L. Washer	2		
6	LUG5		2		
7	NUT2	Hexagon not	2	L1 0.56 $\mu$ H	
8	QQN02CK-561	Net walk coil	1	L2 0.33 $\mu$ H	
9	LV41274-001A	Net walk coil	1	C1 2.2 $\mu$ F/50V	
10	-----	E. CAPA	1	C2 4.7 $\mu$ F/50V	
11	-----	E. CAPA	1	R1 3.3 $\Omega$ , 0.5W	
12	-----	C. Resistor	1		
13	LV41915-002A	Wire assembly (Red, Black)	1		
14	LV41915-001A	Wire assembly (Yellow, Black)	1		

# Packing materials and accessories parts list

BLOCK No. **M3MM**

BLOCK No. **M4MM**



## ■ Packing parts list

**Block No. M3MM**

▲	Item	Parts number	Parts name	Q'ty	Description	Area
	P1	LV30132-003A	POLY BAG	1		
	P2	85-000-289-81	POLY BAG	1		
	P4	83-000-411-11	CARTON BOX	1		E
	P4	83-000-411-31	CARTON BOX	1		U
	P5	80-000-433-01	PACKING PAD	2	2pcs in 1set	
	P6	8500037001	MIRROR MAT	1		
	P7	8100094301	SHEET	1		

## ■ Accessories parts list

**Block No. M4MM**

▲	Item	Parts number	Parts name	Q'ty	Description	Area
	A1	LVT0581-001A	I. BOOK	1		
	A2	8600005101	FOOT	1		
	A3	LE40341-001A	SPEAKER CORD ASSEMBLY	1		
	A4	8700087511	CAUTION SHEET	1		